

Soundproofing system



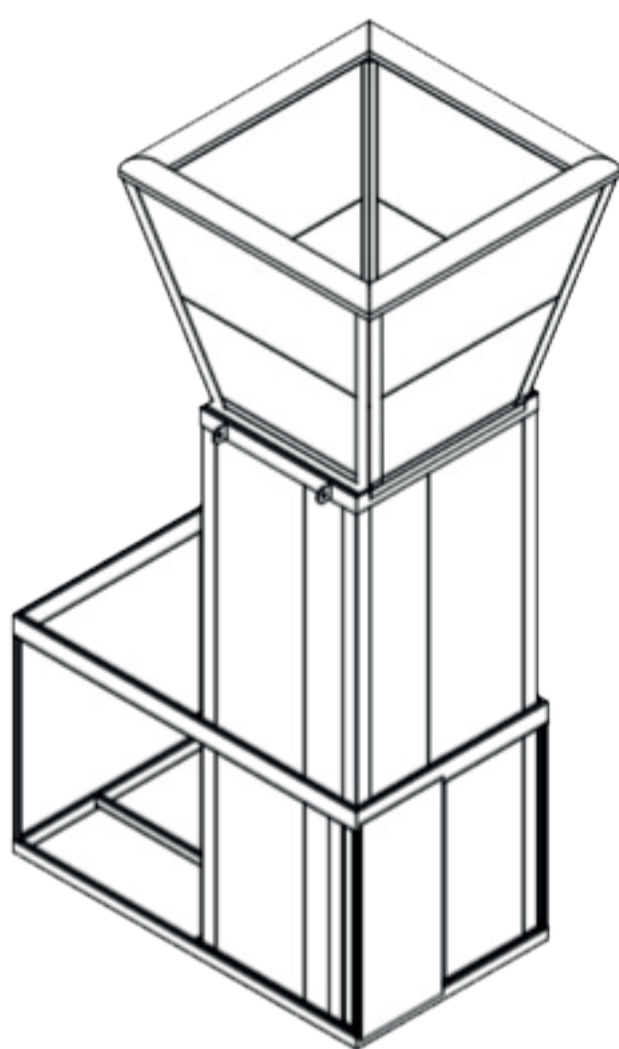
The future of agriculture

The most efficient solution for the reduction of the sound level produced by the Anti-Hail System by means of shock waves in its operation.

General technical data Soundproofing

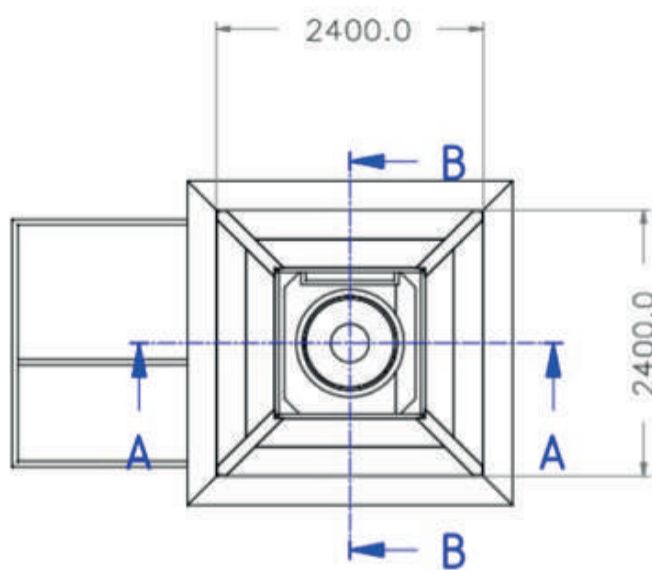
Height	8.02 meters	Acoustic material	Rock wool	Thermal conductivity	0,034
Plant	2.40 meters	Airflow resistance	>5	Reduced decibel	30dB
Structure	8 meters	Dimensional stability	1DS (70/90)	Acoustic material thickness	80mm

Technical data components

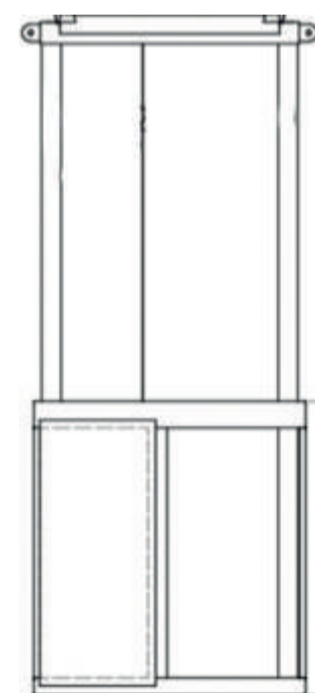


Soundproofing assembly plan

- ✓ European Manufacturing
- ✓ Conical dimensions with wave accompaniment
- ✓ 4.500Kg weight overall dimension
- ✓ 2.500Kg weight lower dimension
- ✓ 2.000Kg weight upper dimension
- ✓ 2.40 meters upper structure
- ✓ 5.60 meters lower structure



Upper part detail plan



Detailed plan of the lower part

Grupo SPAG

Technological company specialized in protection against hail and frost damage.